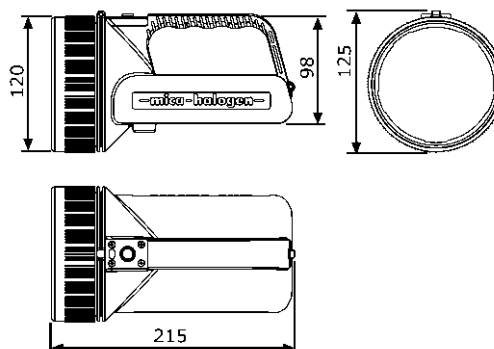




DATA SHEET IL-60 NiCd HAND LAMP

MODEL	IL-60								
Product description	Rechargeable hand lamp								
DNV Certification	E-11962								
Operating temperature	-20°C.... +40°C								
Light source	Halogen bulb G4 6W / 10W / 20 W, lifetime: 100 h								
Light output	6 W 120 lm 10 W 200 lm 20 W 440 lm								
Operating time	<table style="width: 100%; border: none;"> <tr> <td style="width: 50%;">Full power:</td> <td style="width: 50%;">Low power:</td> </tr> <tr> <td>6 watt = 5 h 20 min</td> <td>6 watt = 8h 30min</td> </tr> <tr> <td>10 watt = 2h 45min</td> <td>10 watt = 4h 50min</td> </tr> <tr> <td>20 watt = 1h 20min</td> <td>20 watt = 2h 15min</td> </tr> </table>	Full power:	Low power:	6 watt = 5 h 20 min	6 watt = 8h 30min	10 watt = 2h 45min	10 watt = 4h 50min	20 watt = 1h 20min	20 watt = 2h 15min
Full power:	Low power:								
6 watt = 5 h 20 min	6 watt = 8h 30min								
10 watt = 2h 45min	10 watt = 4h 50min								
20 watt = 1h 20min	20 watt = 2h 15min								
Beam type	Narrow or Medium								
Lens	Tempered glass 108 mm x 5 mm								
Enclosure	High impact polyamide								
Ingress protection	IP 67								
Colour	Orange body / Grey locking ring Other colours on request.								
Power source	6V Rechargeable NiCd battery								
Weight with battery	1,3 kg								
Dimensions	Approx. 215 mm (L) x 120 mm (W) x 125 mm (H)								
Charging time	7 h								
Other features	Battery capacity indicator Deep discharge prevention Low battery warning Shoulder strap								
Chargers	MICA ILC4-VAC Single mains charger (85..264VAC) MICA ILC4 Single vehicle charger (12..24VDC) MICA CR-C3 Multi charger for 3 lamps (100..240VAC) MICA CR-C5 Multi charger for 5 lamps (100..240VAC)								
Accessories	Colour filters: red, green and amber Diffuser filter Square light beam filter Infra-red lens 850 nm Adjustable stand for a single lamp MICA IL-holder for up to 8 lamps								



Made in Finland by ATEXOR Oy

04/03/2014

Tel: +358 207 343250, E-mail: info@atexor.com www.atexor.com

ATEXOR Oy prepared this information herein in good faith but makes no representation as to its comprehensiveness or accuracy. ATEXOR Oy reserves the right to make changes to specifications and product descriptions at any time without notice. Ask for more technical data from our sales support.